

KE300A-01

Solar pump inverter



150-400V DC input, 220V 1 Phase output 0.4-5.5kw

150-400V DC input, 220V 3 Phase output 0.4-30kw

250-800V DC input ,380V 3 Phase output 0.7-110kw

Introduction

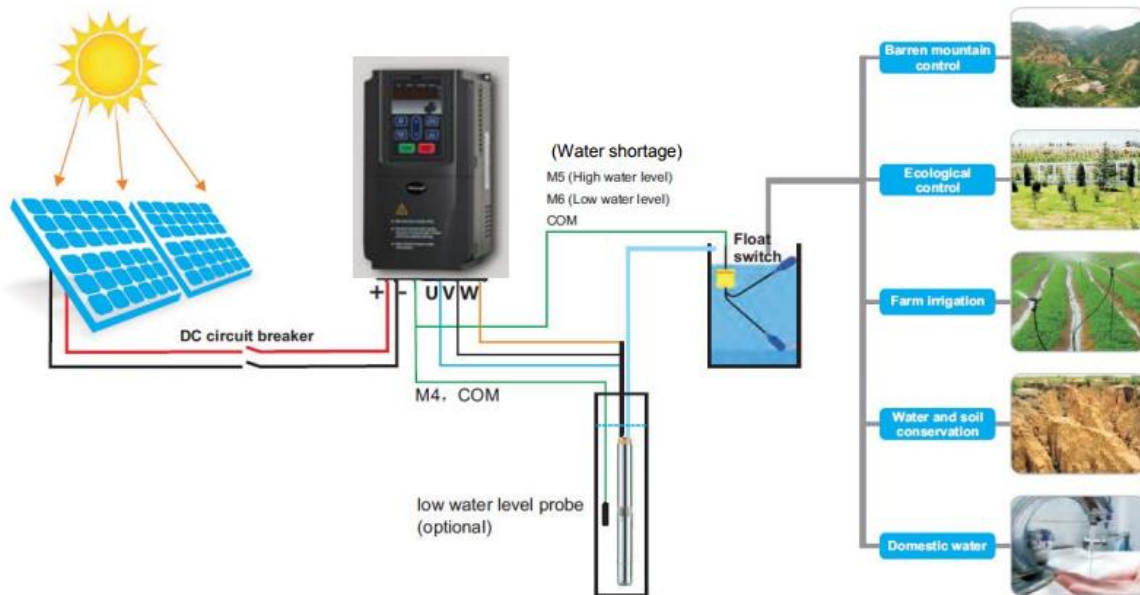
KE300A-01 Series solar pumping inverter Can control of solar pumping system operation, which drives the pump by converting DC power produced by the solar array to AC power.

The inverter can adjust the output frequency according to the solar radiation in real time to realize the MPPT (maximum power point tracking).

Max input DC voltage (Open circuit voltage)	220~240V: 450VDC 380~460V: 800VDC
Recommended input voltage (Open circuit voltage)	220~240V: 150~400VDC 380~460V: 320~750VDC
Rated output voltage	1AC 220V & 3AC 220V / 380V
MPPT efficiency	99.9%
Output frequency range	0~400Hz
Protection degree	IP20
Standard	CE

Solar Pumping system

■ Solar pumping system diagram



Features

Smartness

- ★ Independent intellectual property of dynamic VI maximum power point tracking (MPPT) algorithm. Fast response and good stability. 99% MPPT efficiency.

- ★ Integrated with water level monitor to prevent overflow and dry running.

High Effective

- ★ Free setting of pump operating frequency range.

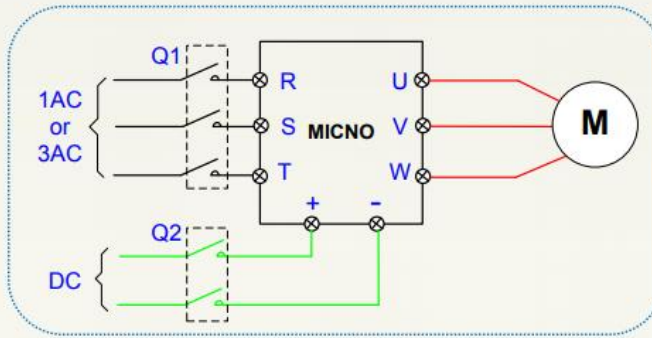
- ★ Perfectly adapted to 150- 800VDC wide input voltage range. Multiple options for solar array design.

- ★ Suitable for all kinds of 3-phase induction motors.

Features

**Compatible with both
DC & AC
input**

- ★ Humanism design
- ★ Compatible with both DC & AC input



Selection guide (220V level)

Model	Output power (kW)	Output current (A)
150-400V DC input or 220V 1 Phase input , Single-phase 220~240V output		
KE300A-01-04-0R4G-S2	0.4	2.5
KE300A-01-04-0R7G-S2	0.75	4.2
KE300A-01-04-1R5G-S2	1.5	7.5
KE300A-01-04-2R2G-S2	2.2	9.5
150-400V DC input or 220V 1 Phase input , Three-phase 220~240V output		
KE300A-01-0R4G-S2	0.4	2.5
KE300A-01-0R7G-S2	0.75	4.2
KE300A-01-1R5G-S2	1.5	7.5
KE300A-01-2R2G-S2	2.2	9.5

Selection guide (380V level)

Model	Output power (kW)	Output current (A)
250-800V DC input ,380V 3 Phase input Three-phase 380~460V output		
KE300A-01-0R7G-T4	0.75	2.5
KE300A-01-1R5G-T4	1.5	4.2
KE300A-01-2R2G-T4	2.2	5.5
KE300A-01-004G-T4	4.0	9.5
KE300A-01-5R5G-T4	5.5	13
KE300A-01-7R5G-T4	7.5	17
KE300A-01-011G-T4	11	25
KE300A-01-015G-T4	15	32
KE300A-01-018G-T4	18.5	37
KE300A-01-022G-T4	22	45
KE300A-01-030G-T4	30	60

Selection guide (380V level)

Model	Output power (kW)	Output current (A)
250-800V DC input ,380V 3 Phase input Three-phase 380~460V output		
KE300A-01-037G-T4	37	75
KE300A-01-045G-T4	45	90
KE300A-01-055G-T4	55	110
KE300A-01-075G-T4	75	150
KE300A-01-090G-T4	90	176
KE300A-01-110G-T4	110	210
KE300A-01-132G-T4	132	253
KE300A-01-160G-T4	160	304
KE300A-01-185G-T4	185	340
KE300A-01-200G-T4	200	377

Typical application

Mainly used in the field of **agriculture, forestry, irrigation, desert control, musical fountain, urban water.**

